

## Product Overview & Maximum Dimensions



### MAX

Double Door

**WIDTH: 220" (18.3 ft)**

**HEIGHT: 110" (9.2 ft)**

Single Door

**WIDTH: 120" (10 ft)**

**HEIGHT: 110" (9.2 ft)**



### ABC SCREENS

D70 Rolling Screen

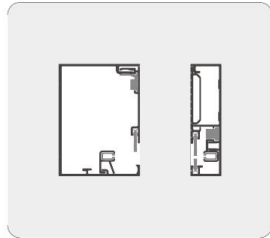


width

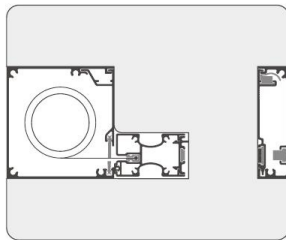
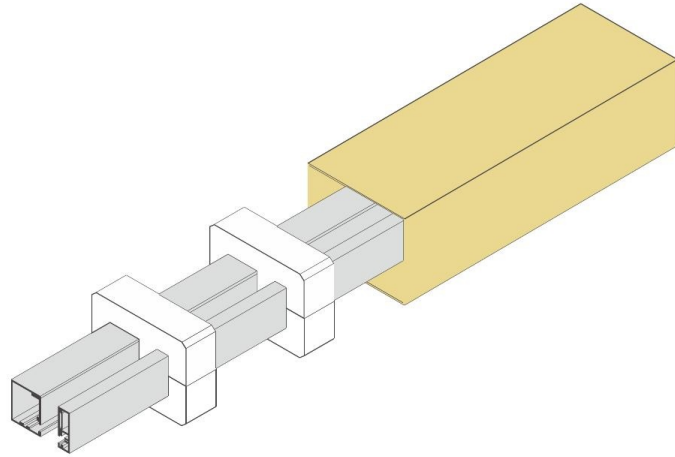
## Package Contents

Pack

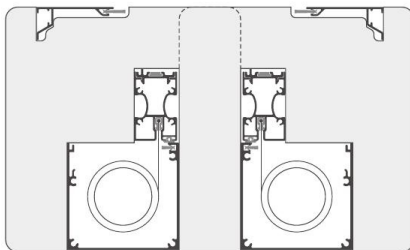
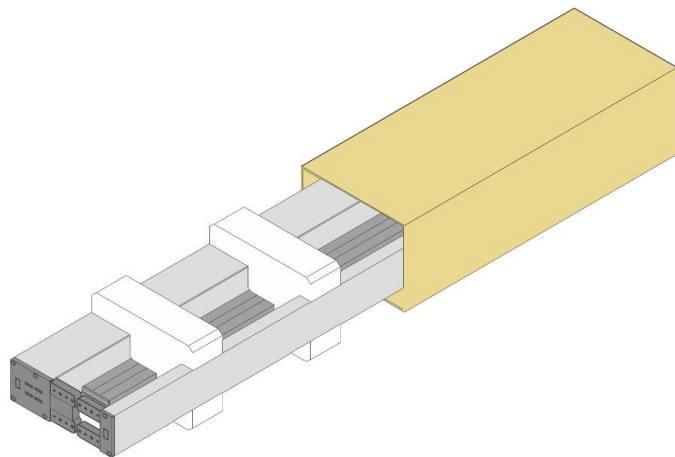
# ABC SCREENS



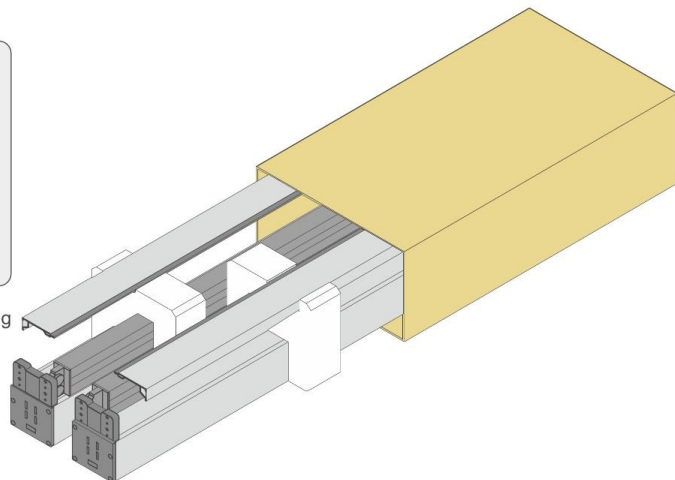
Top & Bottom Rail packaging



Single-door packaging



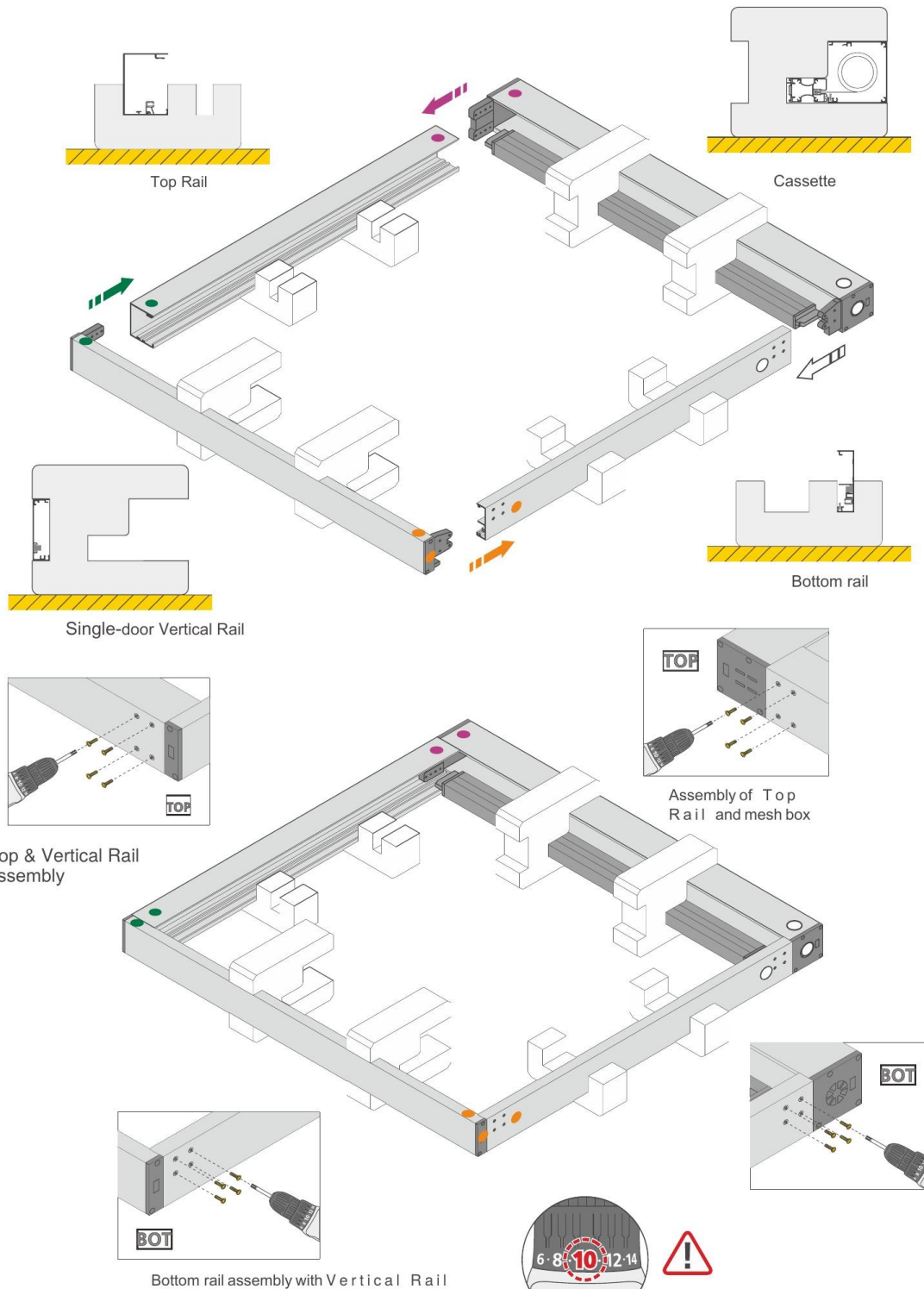
Double-door mesh box packaging



## Step 2 — Single Door Assembly

### 2 Single DOOR ASSEMBLY

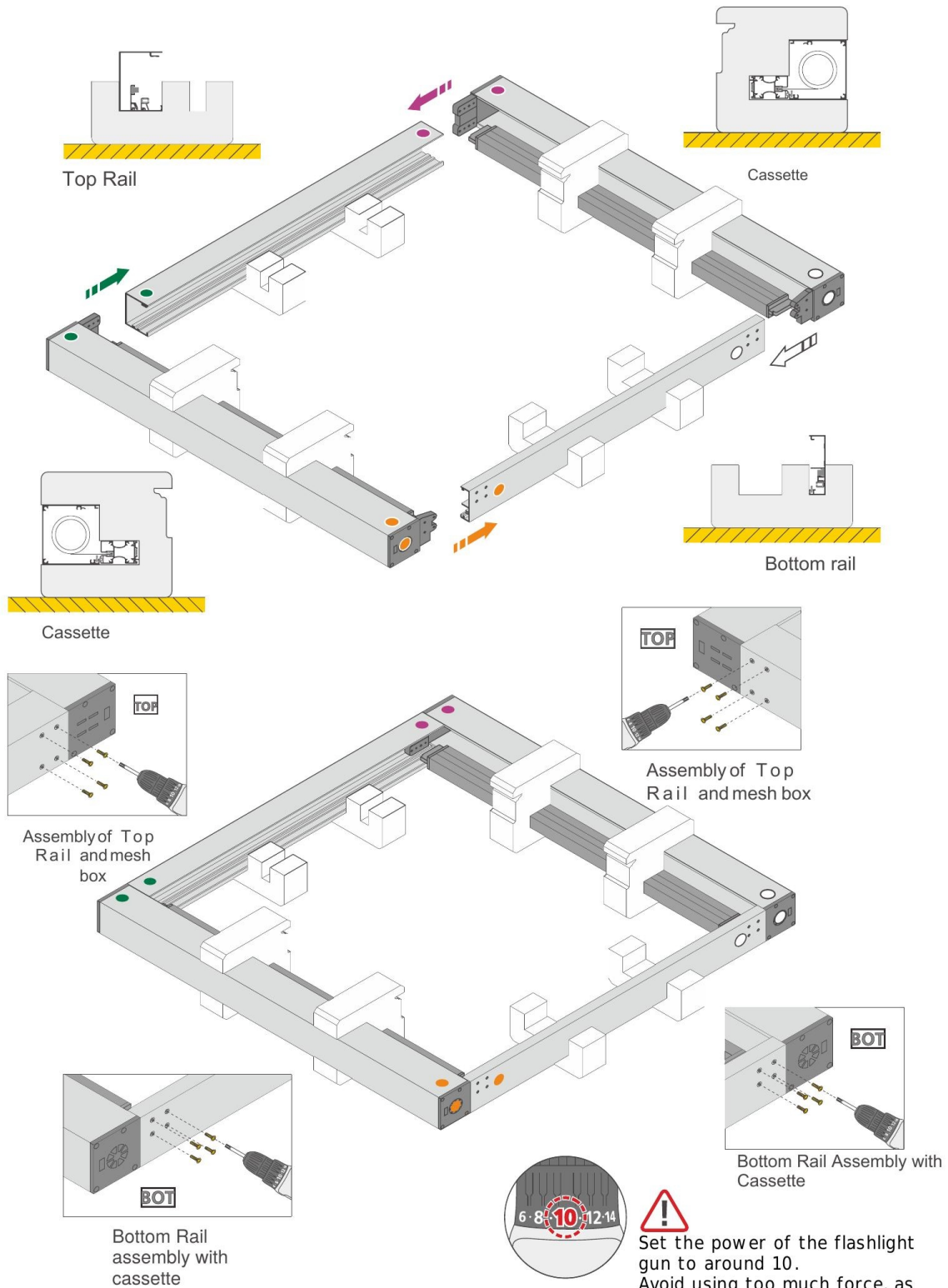
# ABC SCREENS



## Step 3 — Double Door Assembly

3 Double-door assembly

# ABC SCREENS

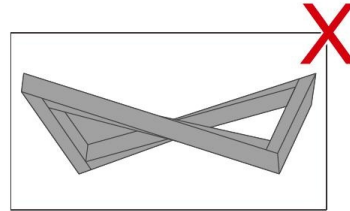
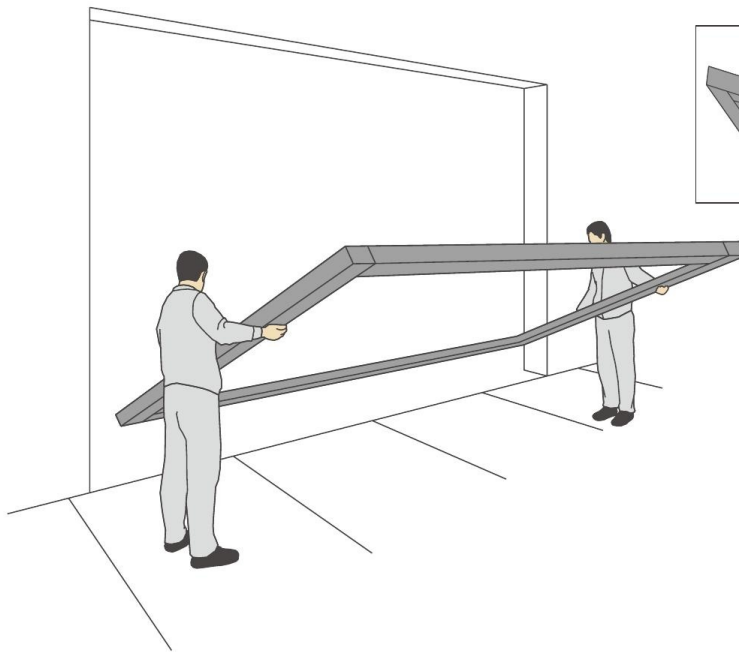


**!** Set the power of the flashlight gun to around 10. Avoid using too much force, as this may strip the screw threads.

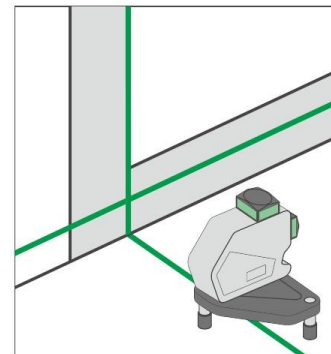
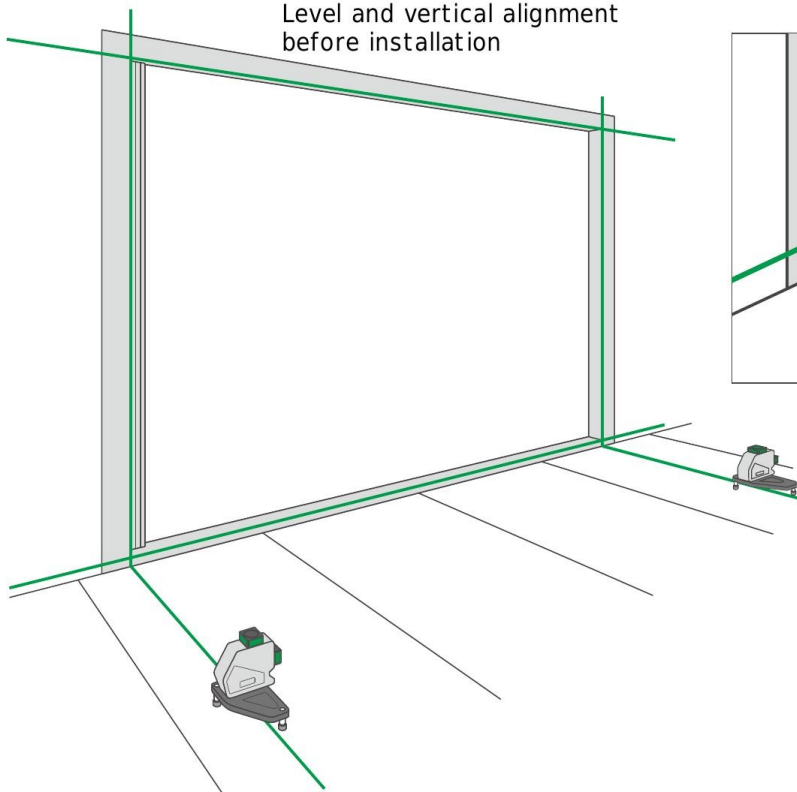
## Step 4 — Installation & Level Alignment

install

# ABC SCREENS



Level and vertical alignment  
before installation

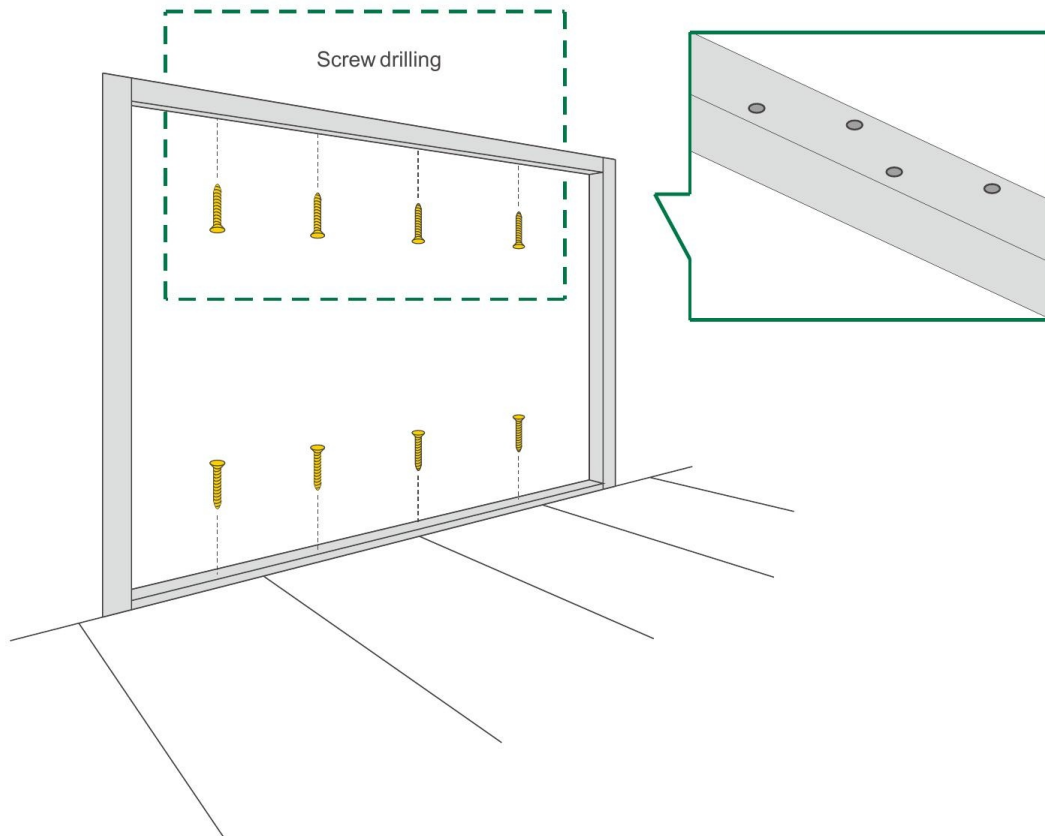
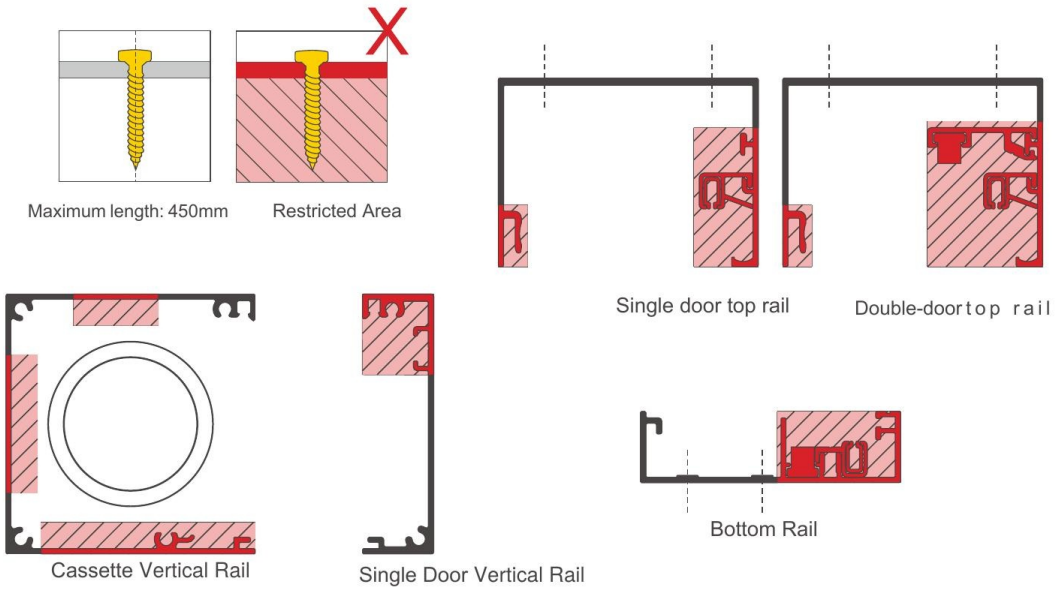


Laser level

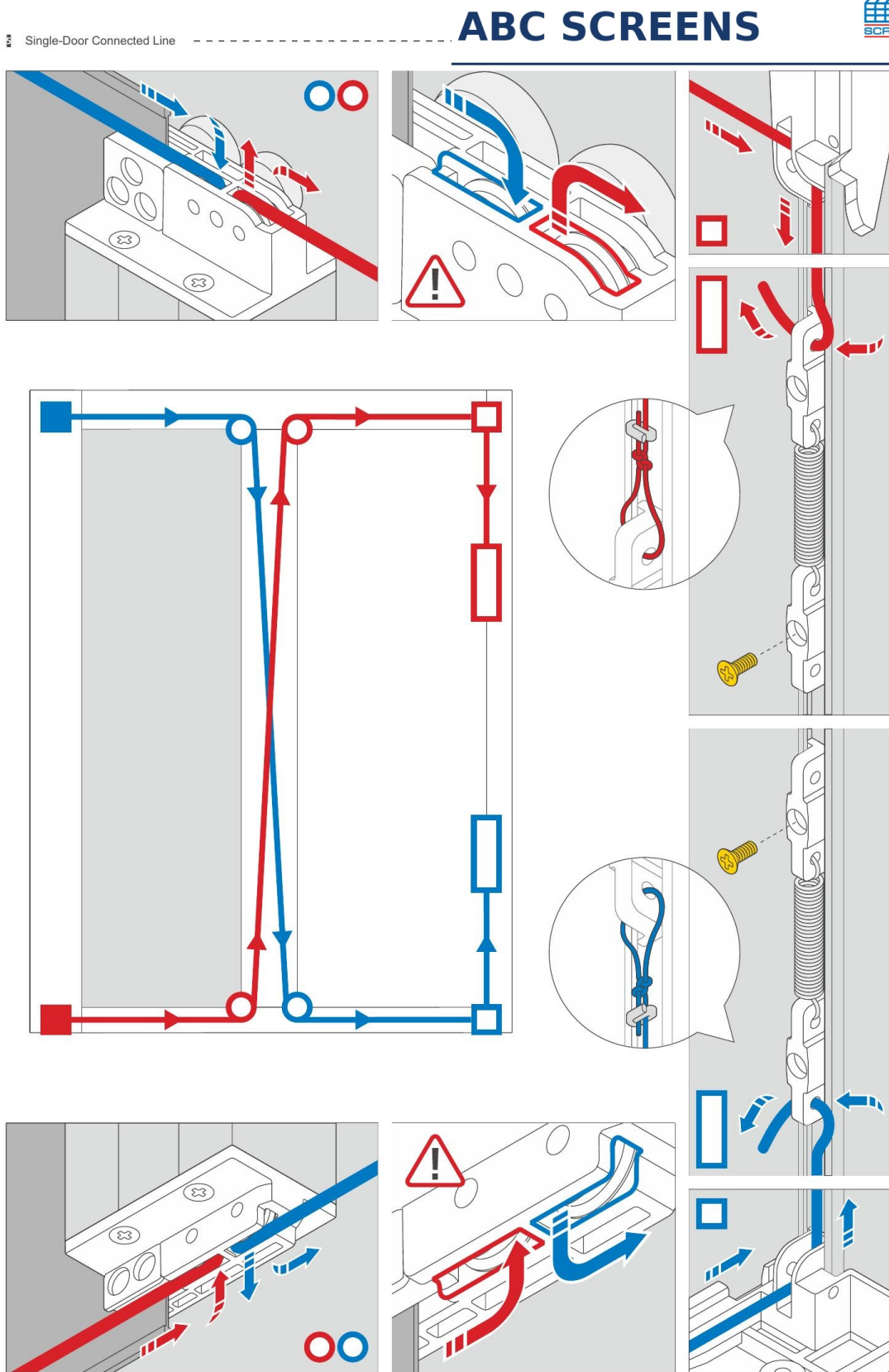
## Step 4 — Screw Layout & Installation Dimensions

install

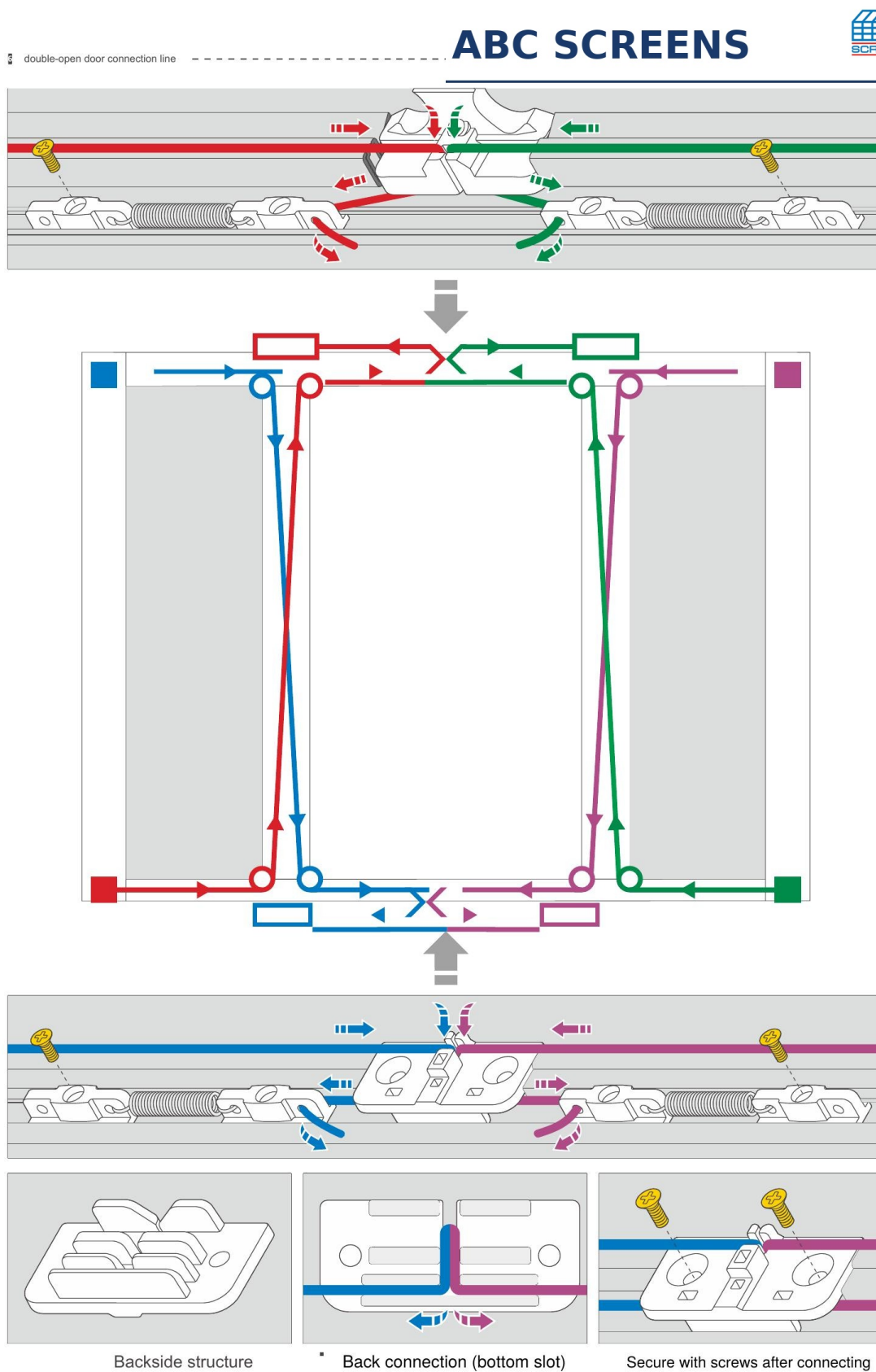
# ABC SCREENS



## Step 5 — Single Door Wiring



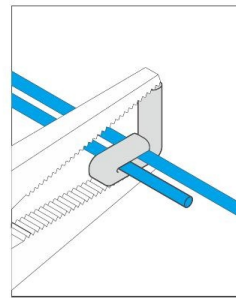
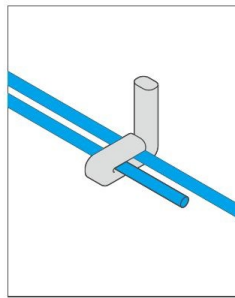
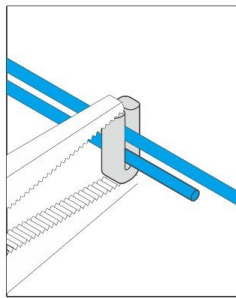
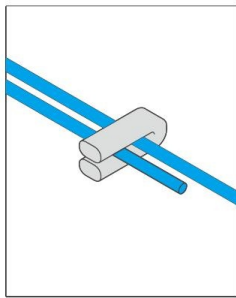
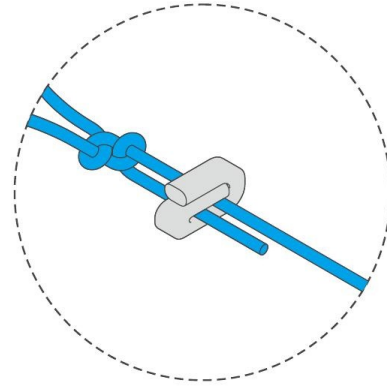
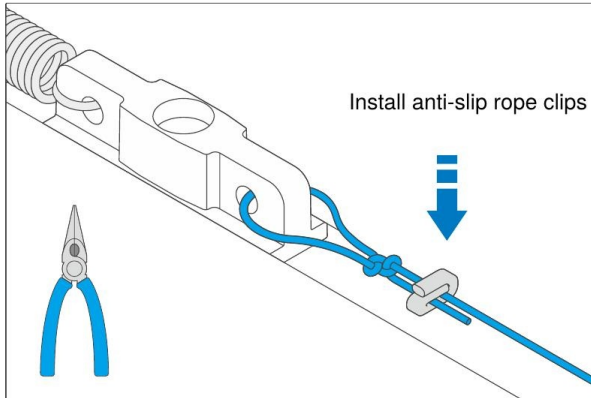
## Step 6 — Double Door Back Connection



## Step 7 — Anti-Slip Rope Clips

### 7 Anti-slip rope clip

## ABC SCREENS



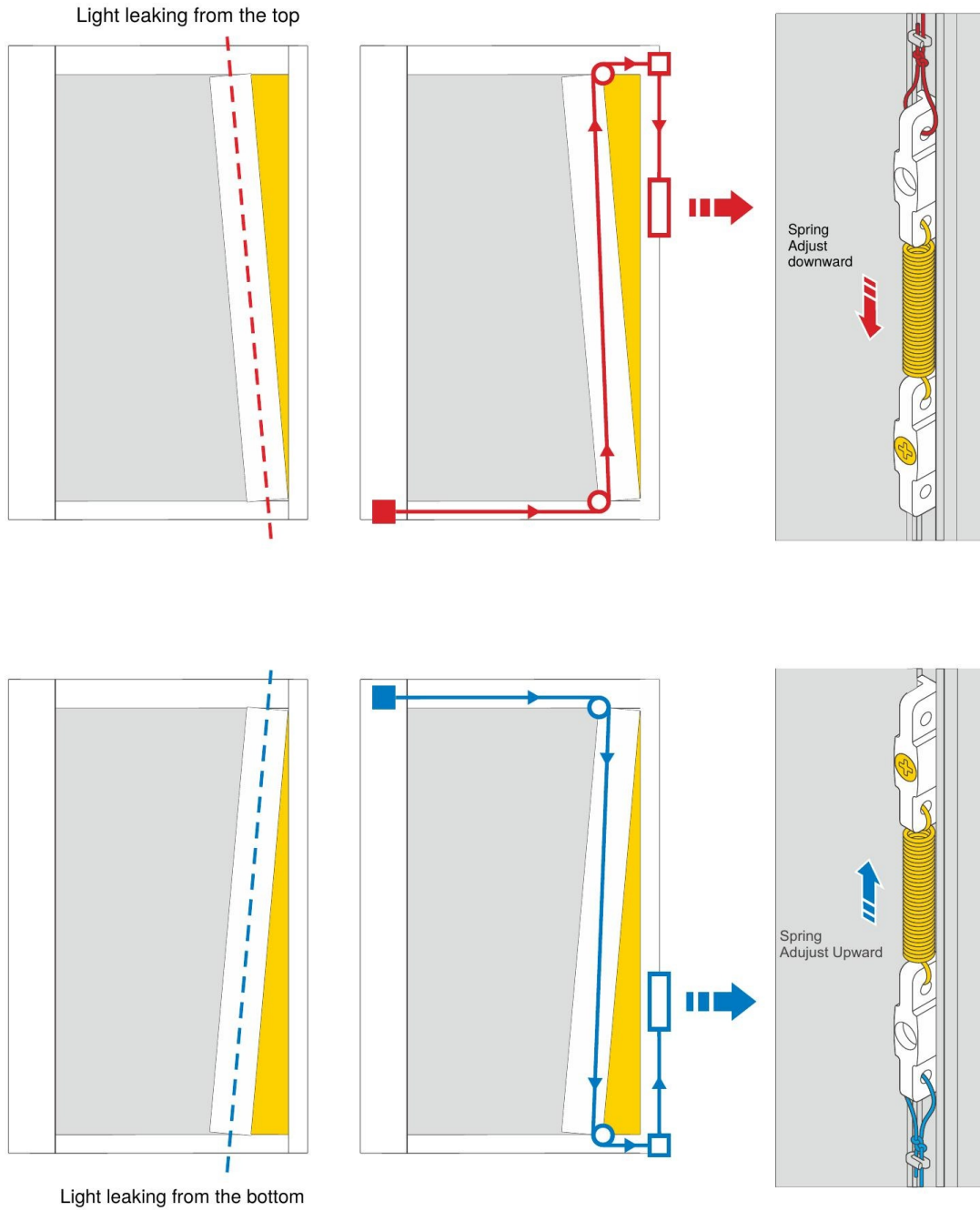
## Step 8 — Light Leak Check & Handle Adjustment

Adjusting a Crooked Handle on a Single-Door

# ABC SCREENS



Check for light leakage when the mesh screen is closed



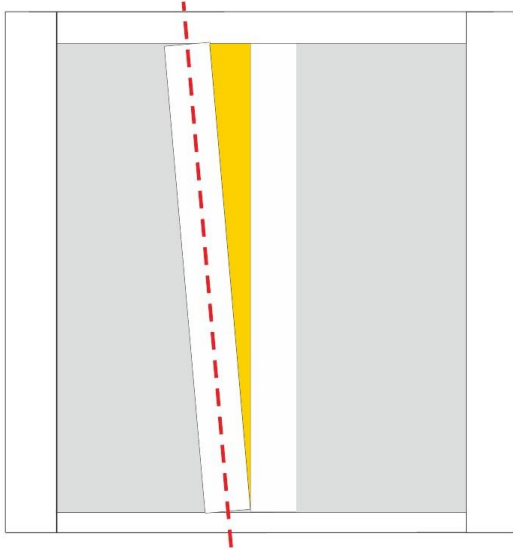
## Step 9 — Double Door Handle Adjustment

# ABC SCREENS

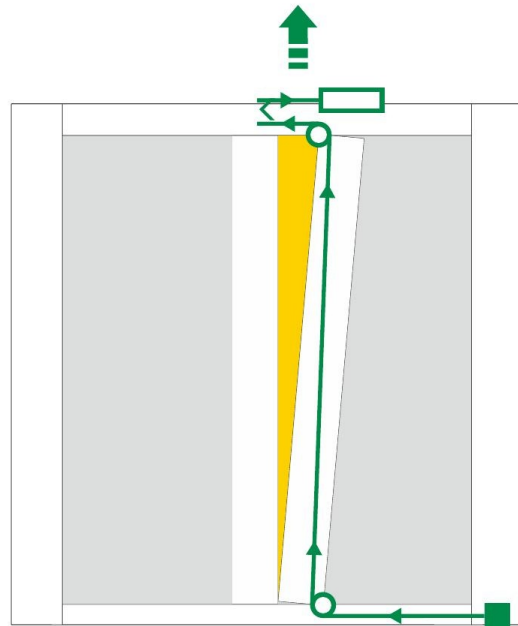
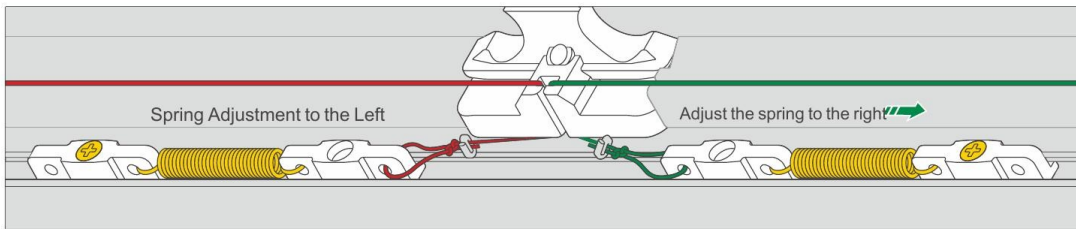
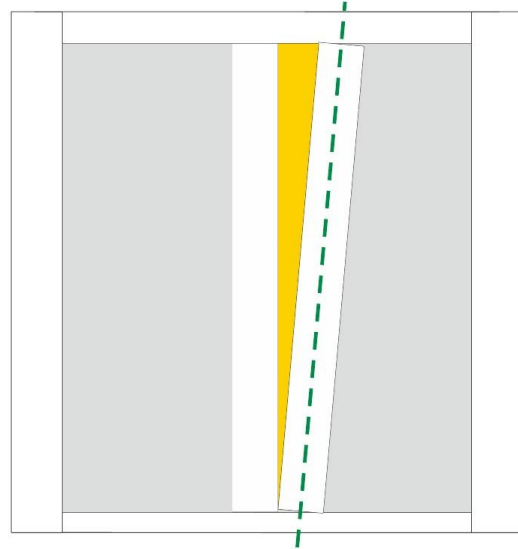


Adjusting a Skewed Double Door Handle

Light leak in the upper left corner



Light leakage in the upper right corner



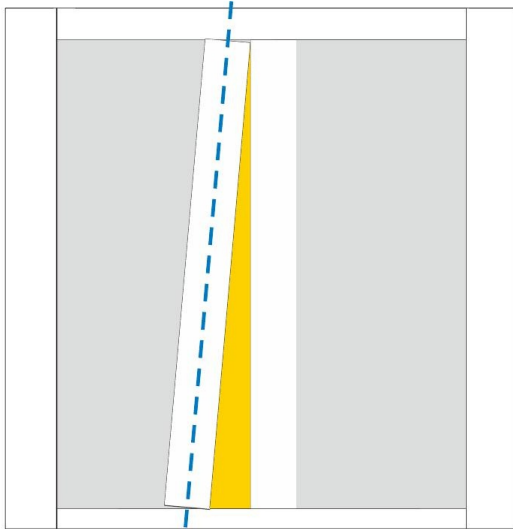
## Step 9 — Double Door Handle Adjustment (continued)

Adjusting a Crooked Handle on Double Doors

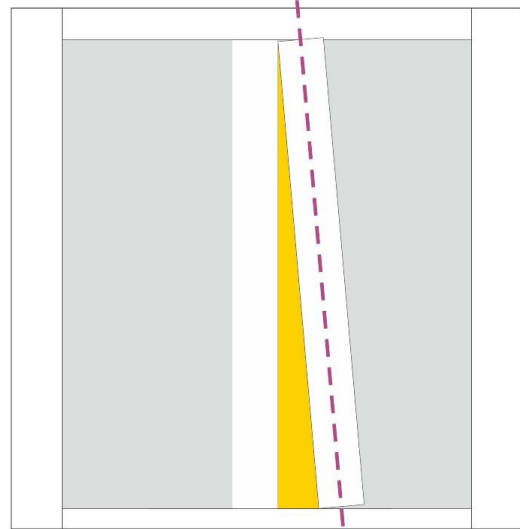
# ABC SCREENS



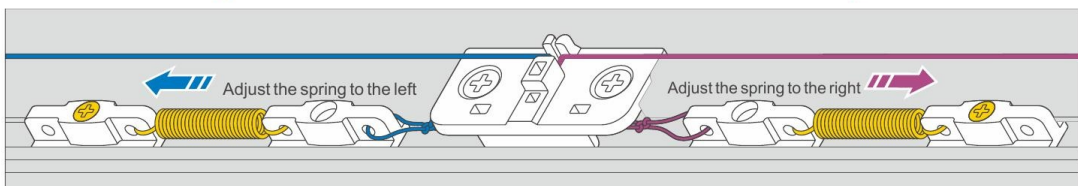
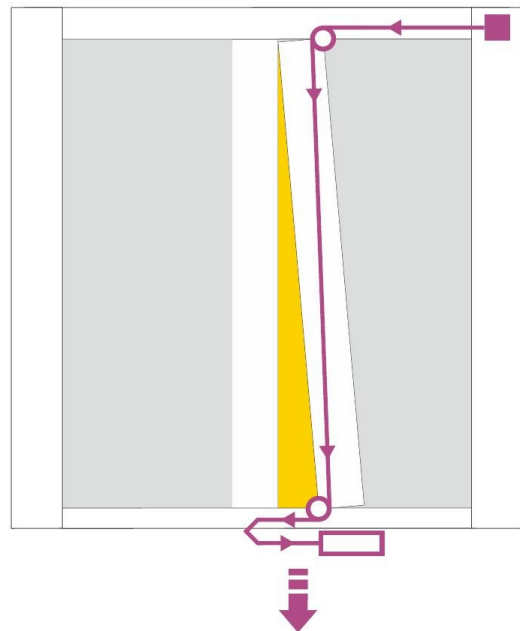
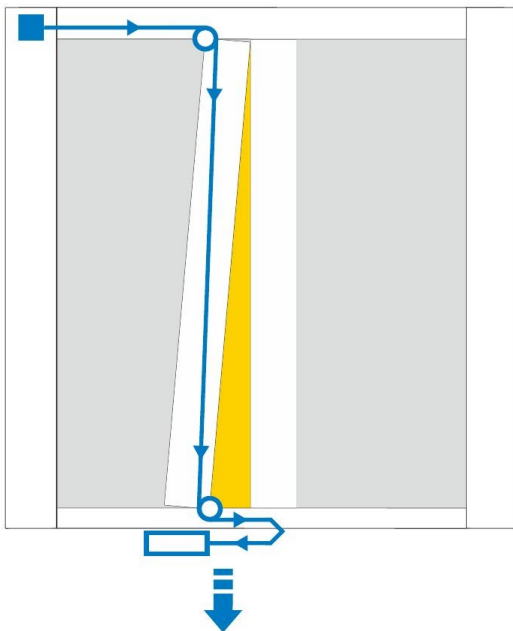
Check for light leakage when the mesh is closed



Light leakage at the bottom left



Light leaking at the bottom right



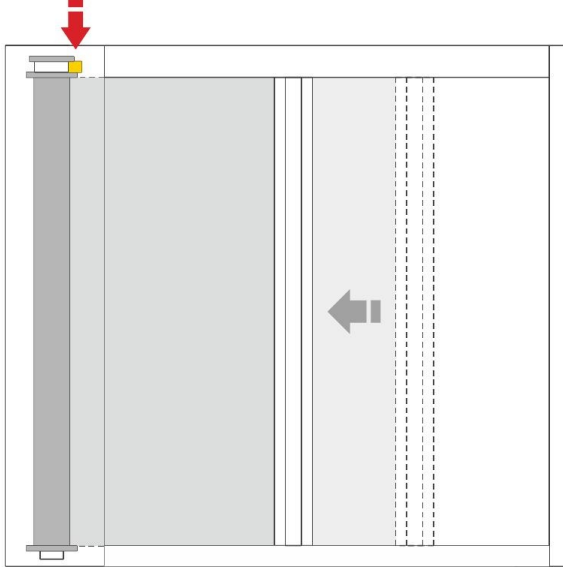
## Step 10 — Mesh Screen Tension Adjustment

### Adjustment of Netting Mesh Tightness

# ABC SCREENS



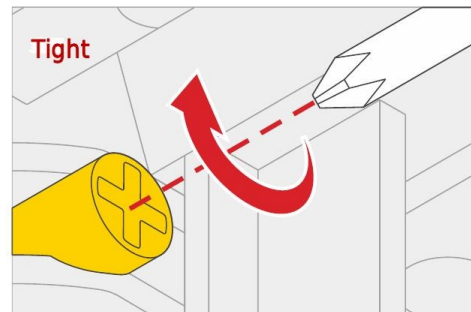
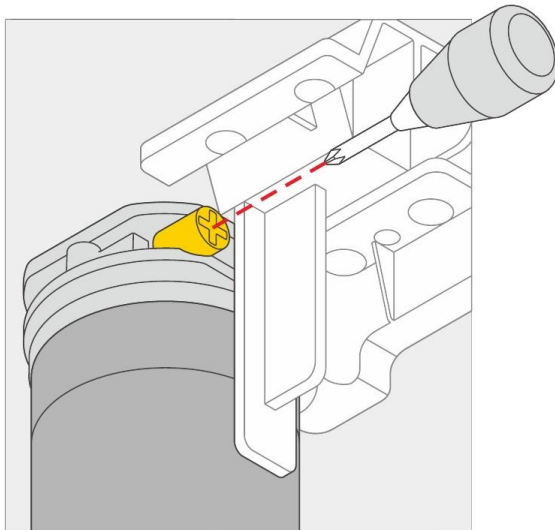
Tension of the mesh screen  
Adjusted via the adjustment point on the  
mesh box



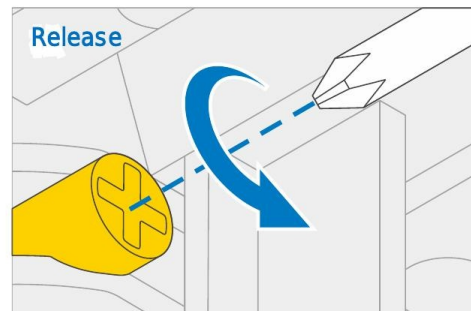
**Normal operation of the screen:**  
When the screen is opened, it slides smoothly;  
when released, the handle stops naturally, and  
the screen remains taut.

**Signs that the screen is too tight:**  
When opening the screen, it feels stiff and  
jerky to pull, and the handle springs back once  
released.

**Loose screen:**  
When the screen is opened, it sags and is loose.



Turn clockwise to tighten

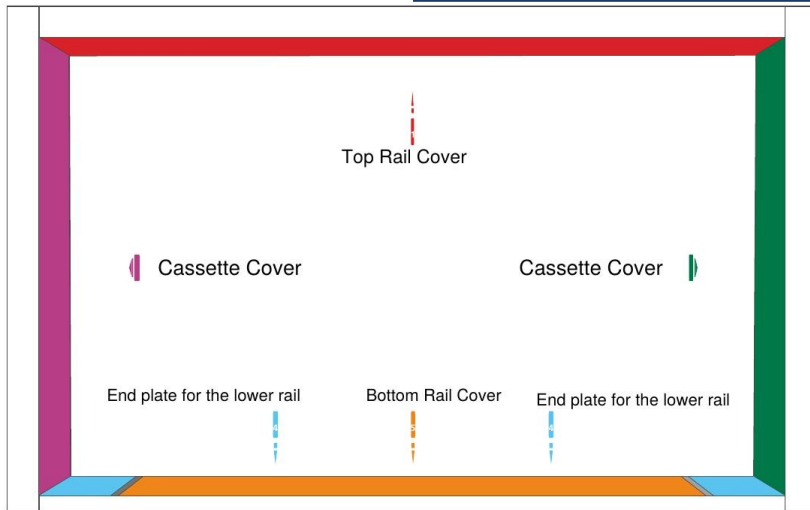


Turn counterclockwise to loosen

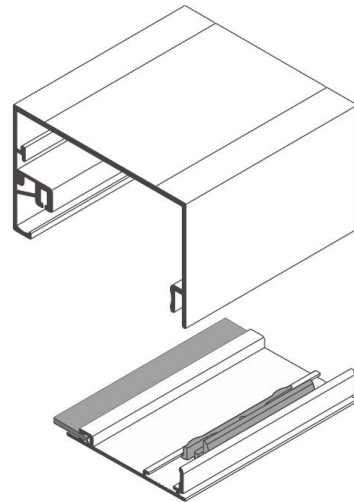
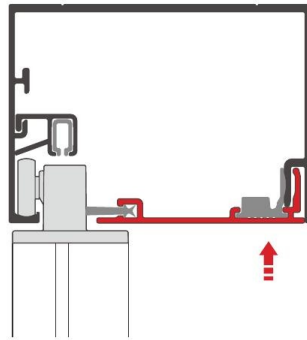
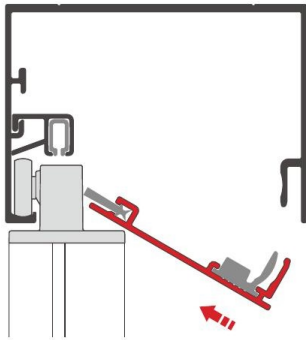
## Step 11 — Cover Plates & Finishing Touches

Putting Cover

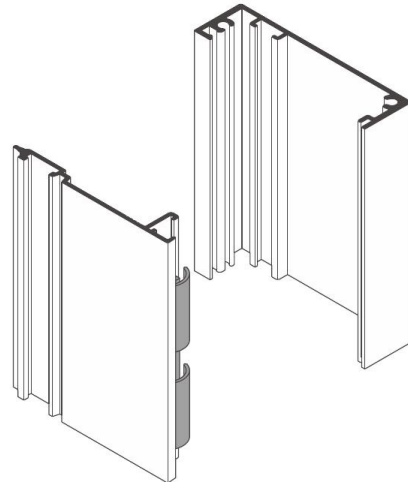
# ABC SCREENS



Upper Cover



Single-door jamb cover plate

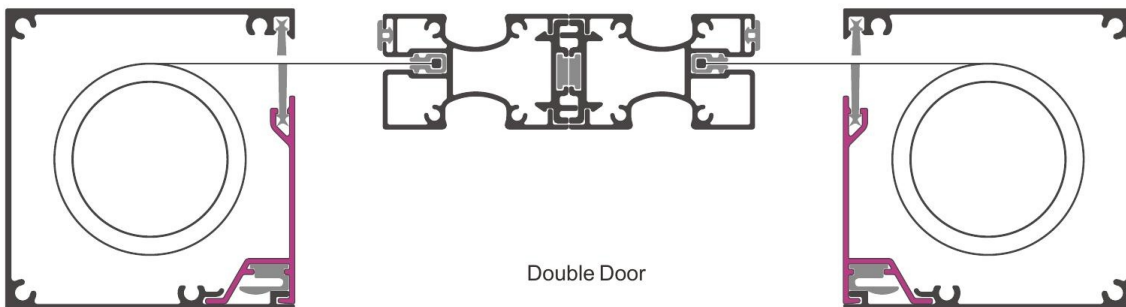
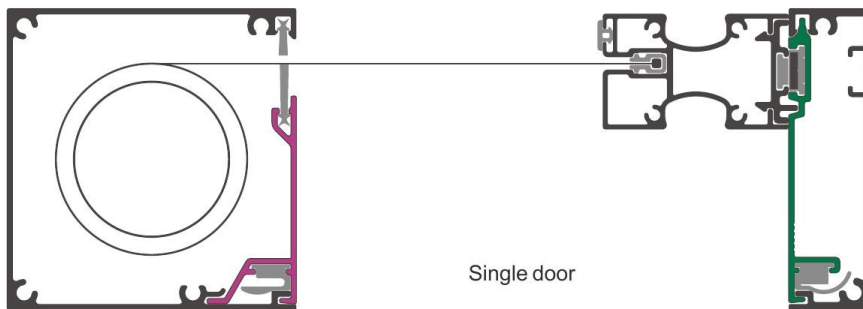
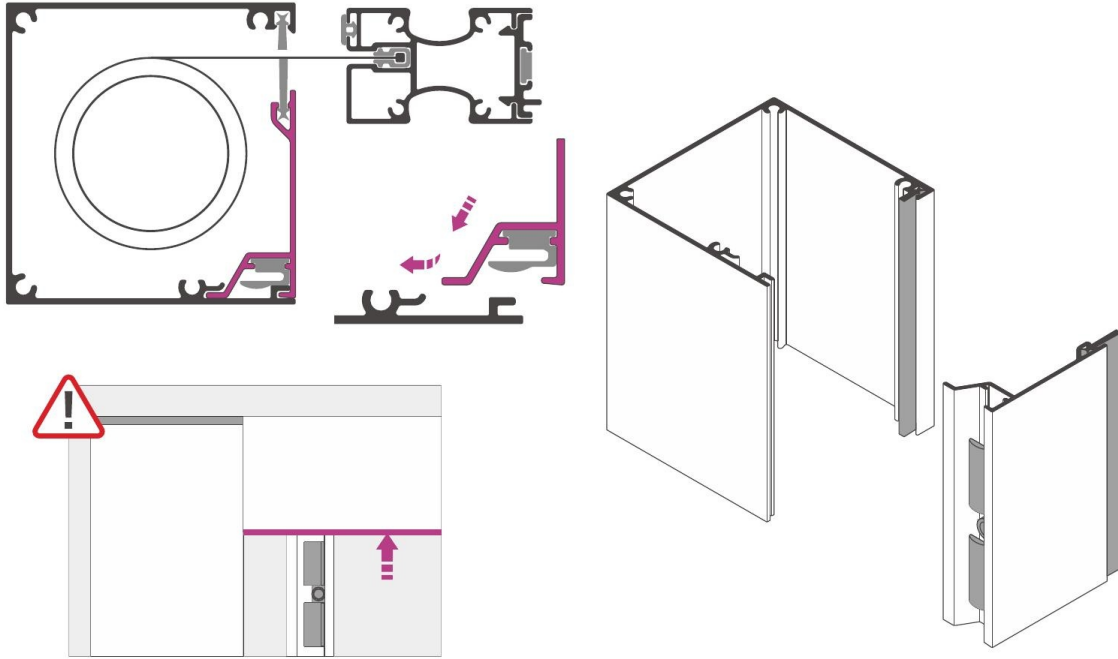


Support the upper beam



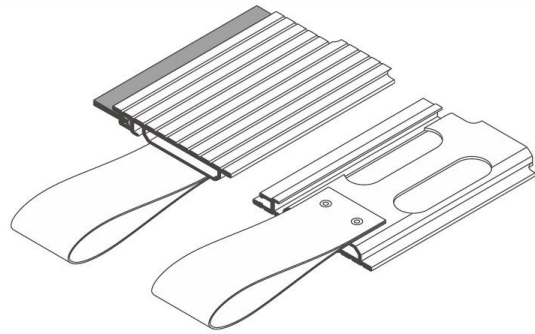
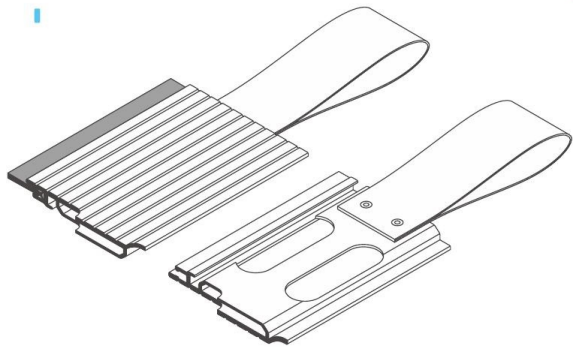
## Step 11 — Single & Double Door Finishing

# ABC SCREENS

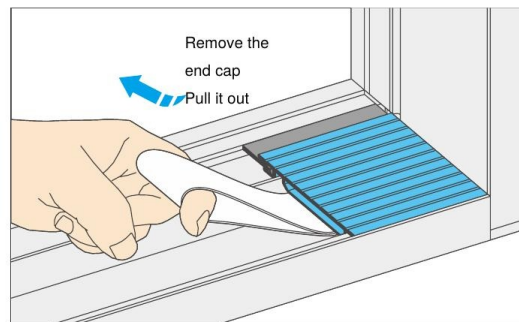
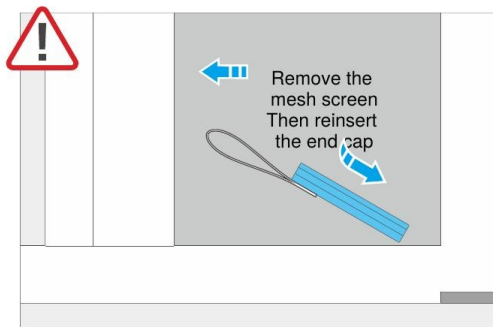
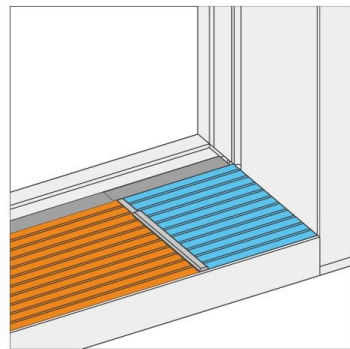
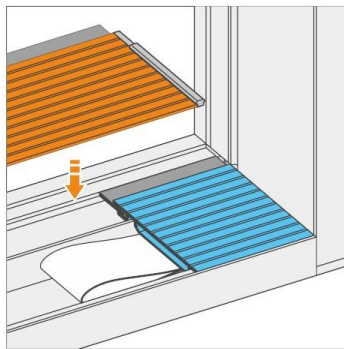
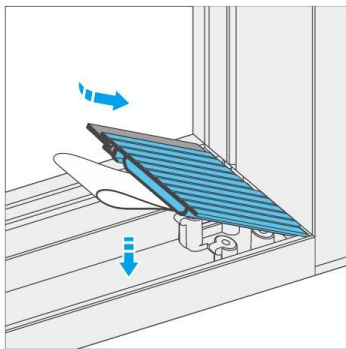
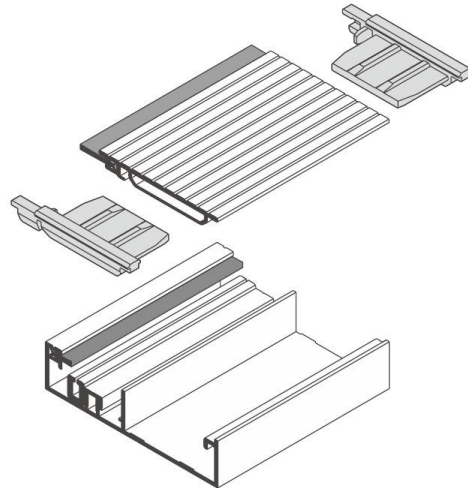
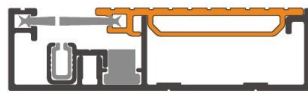
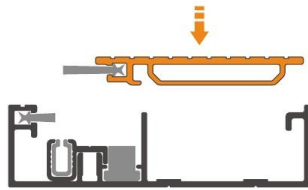


## Step 12 — Lower Rail Sealing Plate

# ABC SCREENS



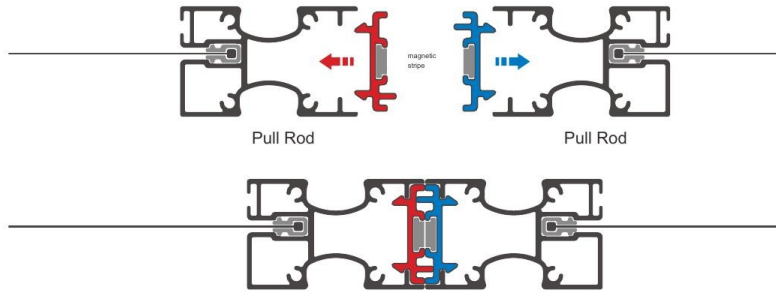
Lower Rail Sealing Plate



## Step 13 — Magnetic Strip & Pull Rod Assembly

Magnetic Strip

# ABC SCREENS



Assemble by corresponding color labels

